

cod.DW116E

data:23/12/2021

**Catalogo ricambi
Spare parts catalog
Catalogue de pièces détachées
Ersatzteilkatalog
Catálogo de repuestos
Catálogo de peças de reposição
Каталог запасных частей**

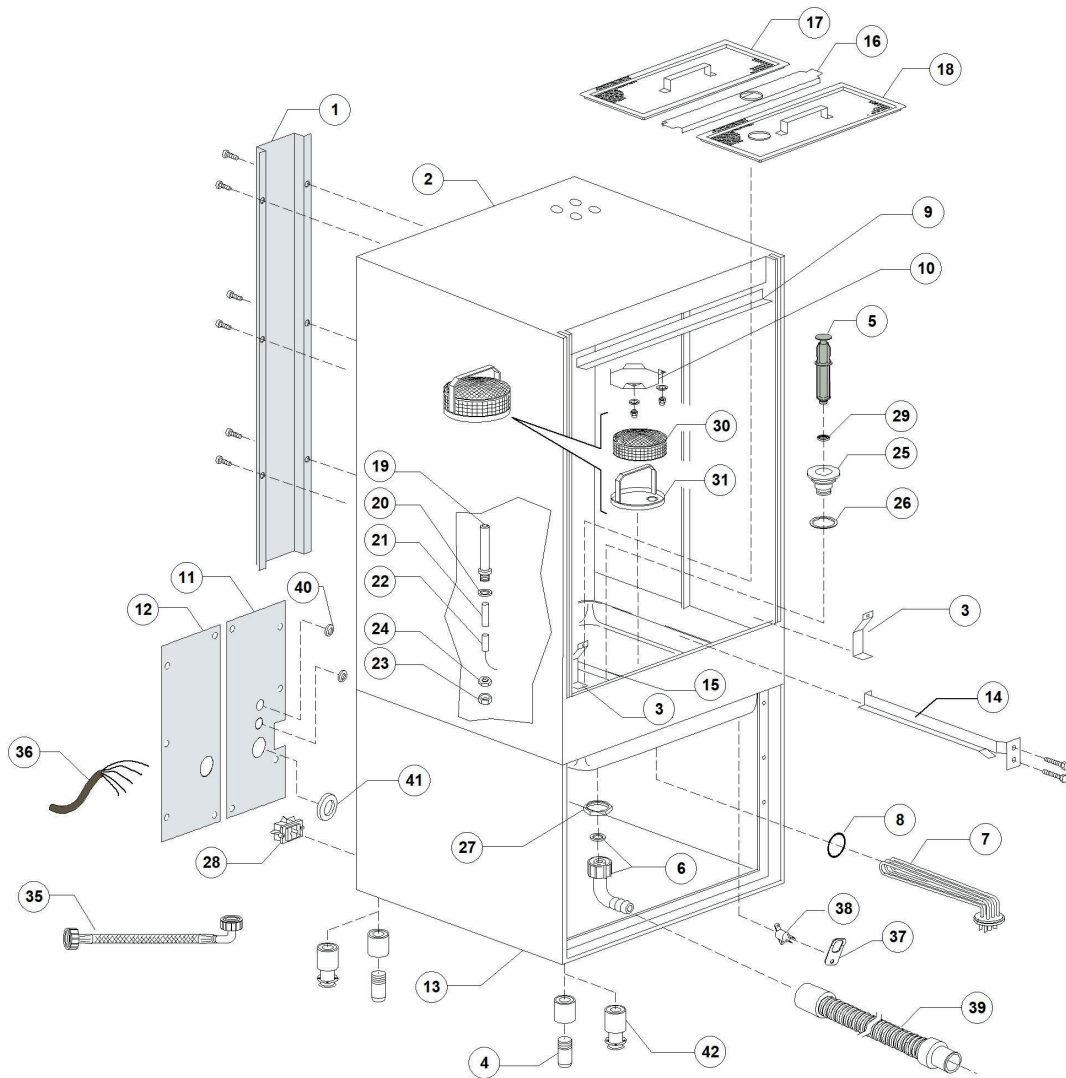
LP1/800E 400V3N 50HZ



S/N:DWF1003595



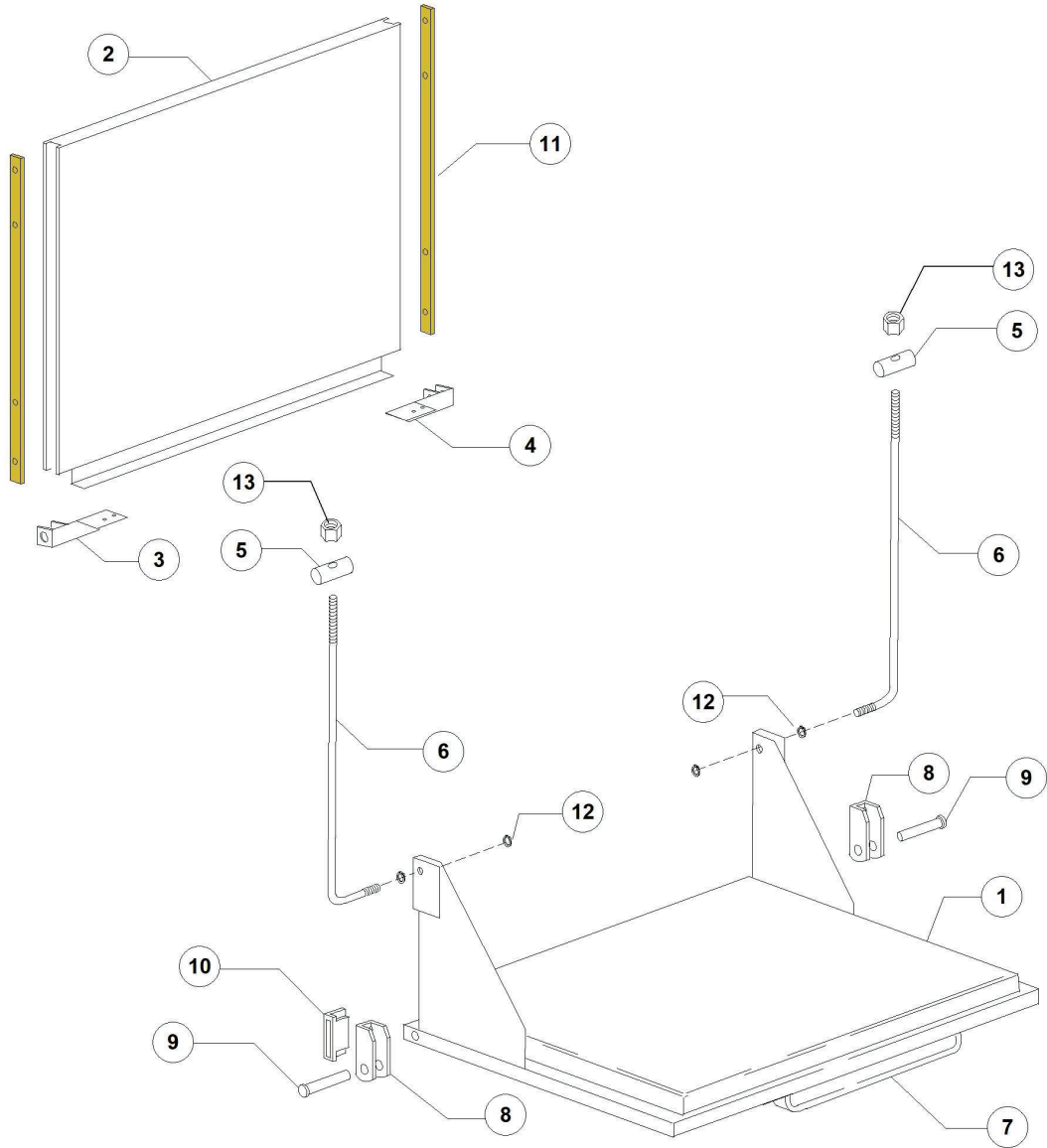
LP1/800E 400V3N 50HZ - DWF1003595 - Gruppo carrozzeria - DW116E



LP1/800E 400V3N 50HZ - DWF1003595 - Gruppo carrozzeria - DW116E

Pos.	Codice	Descrizione	Description
1	DW23224	#PANNELLO POSTERIORE LP1/800	BACK PANEL
2	DW23205	CARROZZERIA LP1/800	BODYWORK LP1/800
3	DW22254	PARASP.INF.SX/DX LP1-LP1/800-S-S8	LOWER SPLASH GUARD
4	DW15116	"PIEDINO 2" M10 REG. 132-210"	"ADJUSTABLE FOOT M10 132-210 2""
5	DW500619	ASSIEME TROPPO PIENO H208 CON TAPP	OVERFLOW PIPE H208
6	DW15613	"GOMITO NYLON SCARICO 1"1/4X32"	"DRAIN ELBOW 1" 1/4X32"
7	DW15047/A	RESIST.2700/2940W 230/240V 3	2700/2940W 230/240V 3 HEATING ELEM.
8	DW13005	GUARNIZIONE OR 151 NBR	O-RING 151 NBR (MIN. 5 PCS)
9	DW22231	PARASPRUZZI PORTA SUPER.LP1-LP1/800	UPPER SPLASH GUARD
10	DW22232	PARASPRUZZI SUP. CAMINO INT.LP1-800	CHIMNEY INTERNAL PROTECTION
11	DW23228	#CARTER DX LP1/800	RIGHT BACK PANEL
12	DW23230	#CARTER SX LP1/800	LEFT BACK PANEL
13	DW23204	ASSIEME BASE LP1/800	BASE LP1/800
14	DW22209	CORRENTINO INTERNO DX LP1-800	RIGHT INTERNAL SLIDE
15	DW22209/A	CORRENTINO INTERNO SX LP1-800	LEFT INTERNAL SLIDE
16	DW75926	TRAVERSO SUPPORTO FILTRO DOPPIO	DOUBLE FILTER TRANSVERSAL SUPPORT
17	DW75626	SEMIFILTRO SUPERFICIE	SURFACE HALF-FILTER
18	DW75625	SEMIFILTRO CON FORO	HALF-FILTER WITH HOLE
19	DW22213	CANOTTO PORTAREED LP1-LP1/800	REED-HOLDER
20	DW10200171	GUARNIZIONE FASIT 25X17X2	GASKET 25X17X2
21	DW22213/A	DISTANZ. PER REED MOD.CORTO LP1/800	REED-HOLDER SPACER
22	DW2000309	REED ECONOMIZZATORE	MAGNETIC REED SWITCH
23	DW22214	DADO CIECO PER CANOTTO PORTAREED	NUT FOR REED HOLDER
24	DW22214/A	DADO PER CANOTTO PORTAREED	NUT FOR REED HOLDER
25	DW10200113	PILETTA SCARICO	FLOOR DRAIN
26	DW10200173/A	GUARNIZIONE 75X58X3	75X58X3 GASKET
27	DW10200114	DADO PILETTA G2 ESA-75	FLOOR DRAIN NUT
28	DW15065/A	FISSACAVO PER VITI AUTOF (NR.2x11007)	CABLE-FASTENER WITH SCREW
30	DW15082	RETE FILTRO INOX D.190 11S-GS50	S/S NET FILTER D.190
31	DW15083	BASE FILTRO INOX	S/S FILTER BASE
35	DW10900001	CANNA CARICO GROSSA M 1,5 EN61770	LOAD PIPE M 1,5 EN61770
36	DW80200	CAVO ALIMENTAZIONE 5X4X3400	CABLE 5X4X3400
39	DW10200112	CANNA SCARICO DIAM.32 GROSSA	DRAIN HOSE D.32
40	DW13323	PASSACAVO IN GOMMA D.13	RUBBER FAIRLEAD D.13 (MIN. 2 PCS)
41	DW13324	PASSACAVO GOMMA D.46X50	RUBBER FAIRLEAD D.46X50

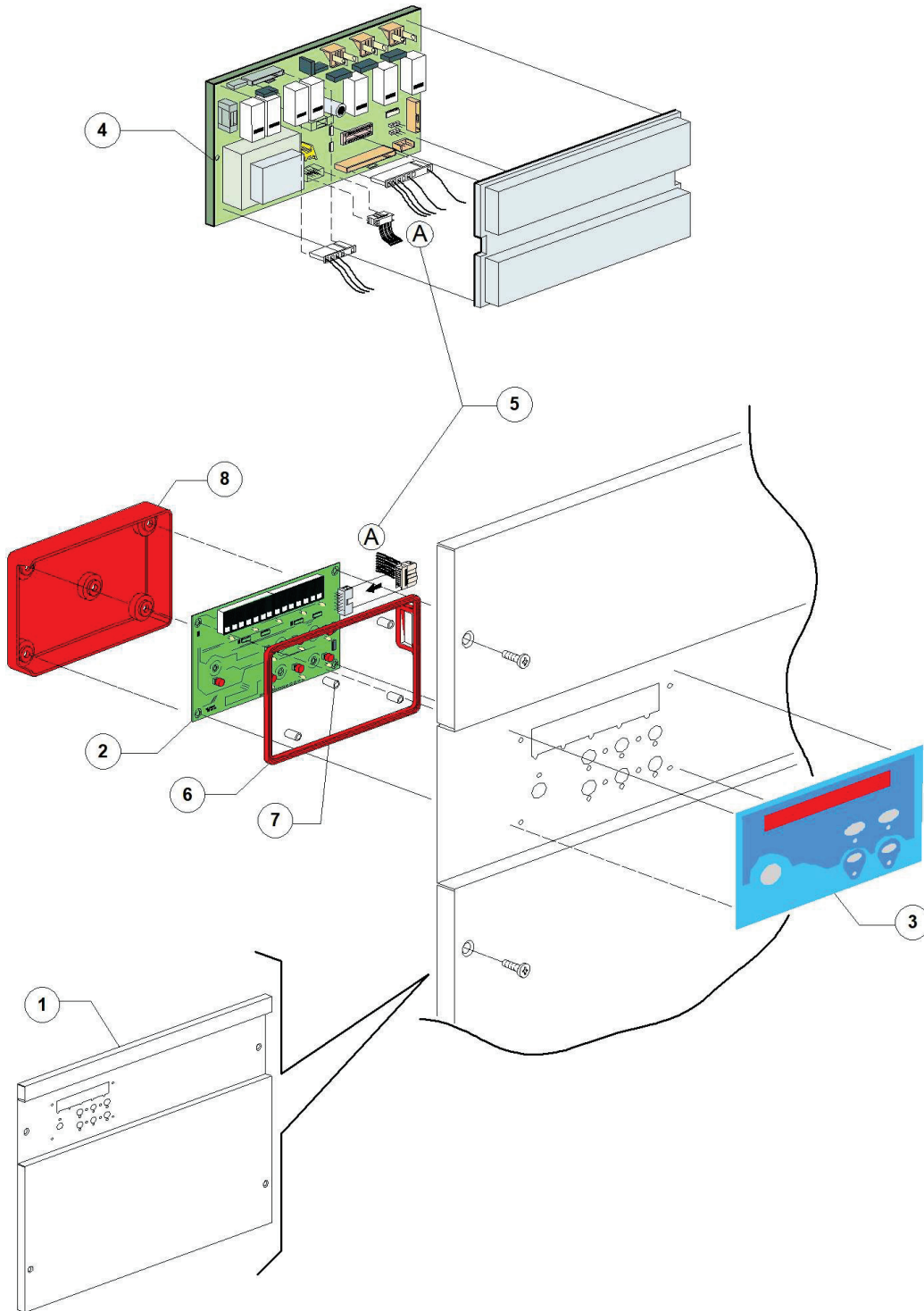
LP1/800E 400V3N 50HZ - DWF1003595 - Porta - DW116E



LP1/800E 400V3N 50HZ - DWF1003595 - Porta - DW116E

Pos.	Codice	Descrizione	Description
1	DW23206	PORTA INF. LP1/800	LOWER DOOR
2	DW23207	PORTA SUP. LP1/800	UPPER DOOR
3	DW23231	PROF. A L DX SUP.LEVE PORTA LP1/800	RIGHT UPPER L SHAPE GUIDE FOR DOOR LEVER
4	DW23232	PROF. A L SX SUP.LEVE PORTA LP1/800	LEFT UPPER L SHAPE GUIDE FOR DOOR LEVER
5	DW22219	CILINDRETTO PER PORTA LP	SMALL DOOR CYLINDERS
6	DW23220	ASTA PORTA INOX LP1/800/LP1S8/P4S8	DOOR ROD
7	DW22215	MANIGLIA INOX TUBO OVALE 30x15 INT.340	OVAL S/S HANDLE
8	DW22206/B	SQUADRA PORTA LP SP.20/10	DOOR HINGE
9	DW22220/A	PERNO INOX PER CERNIERA PORTA LP	DOOR HINGE S/S STUD
10	DW80232	MAGNETE PER REED PER LP	REED MAGNETIC UNIC
11	DW23223	GUIDA SPORTELLO LP1/800 L500	DOOR GUIDE L500
12	DW11823	SEEGER DIAM.10 INOX DIN 471 UNI7435	SNAP RING D.10 S/S
13	DW11721	DADO M6 AUTOBL.INOX UNI 7473 DIN982	S/S SELF-LOCKING NUT M6 DIN982 (MIN. 10

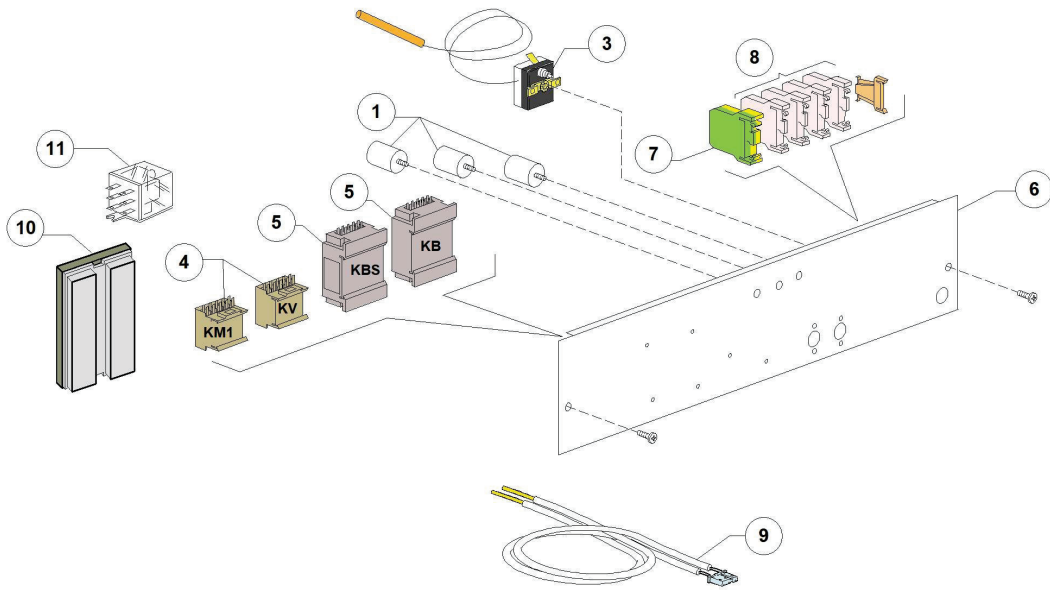
LP1/800E 400V3N 50HZ - DWF1003595 - Pannello comandi - DW116E



LP1/800E 400V3N 50HZ - DWF1003595 - Pannello comandi - DW116E

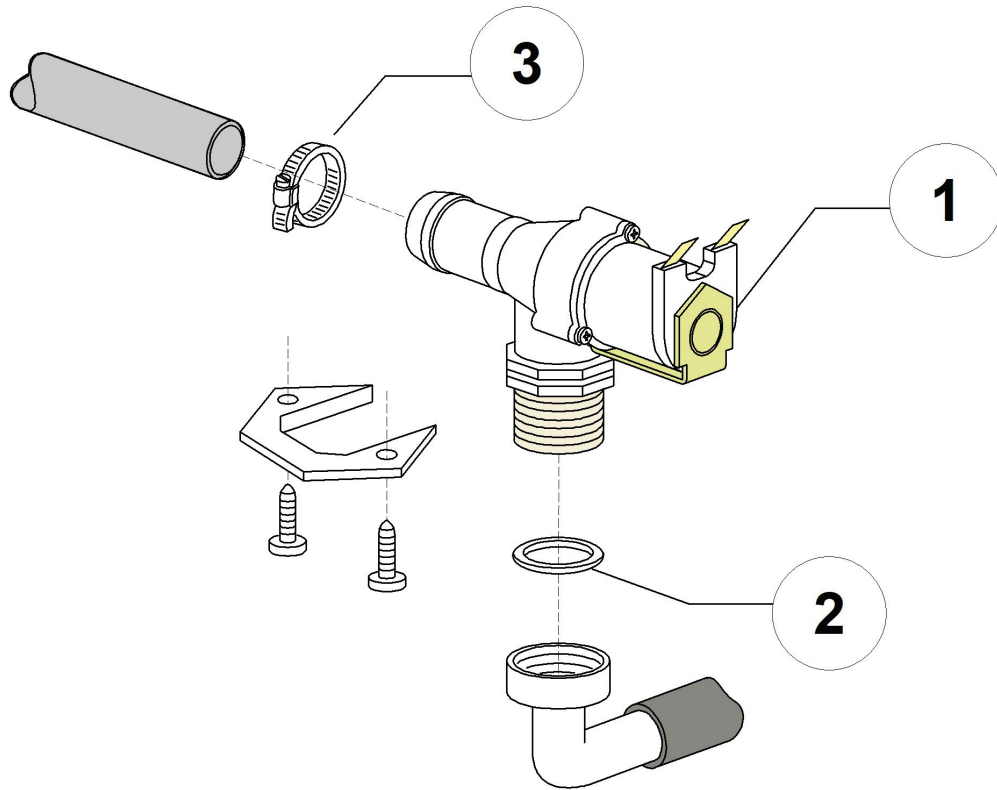
Pos.	Codice	Descrizione	Description
1	DW23218	"SOTTOPORTA INTERO LP1/800 "SCORREVOLE""	FRONT PANEL/CONTROL PANEL
2	DW11600931	TASTIERA SCORREVOLE 2009	SOFT TOUCH CONTROL PANEL 2009
3	DW11600933	MOSTRINA SCOR. LP1+CAP 2010 DIHR	CONTROL OVERLAY DIHR 2010
4	DW23216	SCHEDA LP1/800 2011 (BL)	MAINBOARD 2011 (BL)
5	DW50651	"PIATTINA MULTIFILO "F16p" L1000"	RIBBON CABLE F16p L1000
6	DW11600931/B	GUARNIZIONE PER SCATOLA 11600931/A	PROTECTION BOX GASKET DW11600931/A
7	DW50561	DIST. SCHEDE ELETTR. 2009 D.8X10	MAINBOARD SPACER D.8X10
8	DW11600931/A	SCAT.PROT. SCHEDA 11600931 (145X89X19)	ELECTRONIC BOARD PROTECTION BOX 11600931

LP1/800E 400V3N 50HZ - DWF1003595 - Componenti elettrici - DW116E



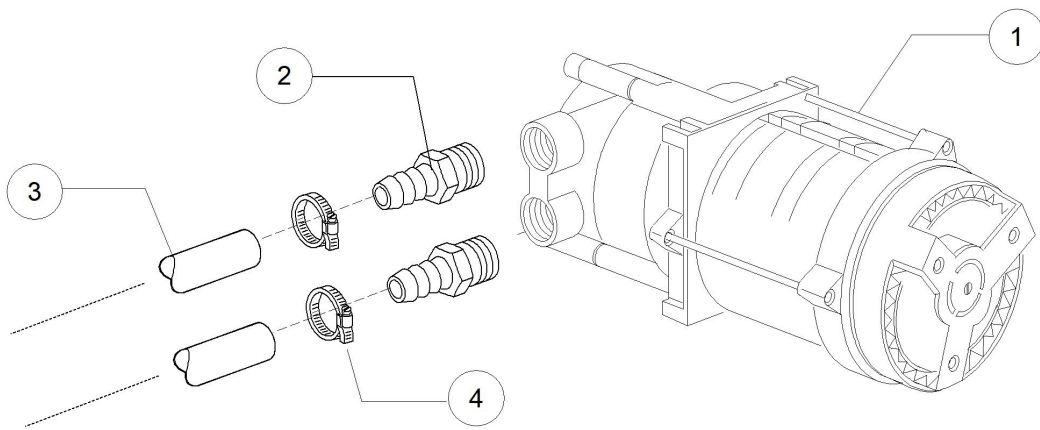
LP1/800E 400V3N 50HZ - DWF1003595 - Componenti elettrici - DW116E

Pos.	Codice	Descrizione	Description
1	DW15149	FILTRO ANTIDIS.F3 (CX0.47MF)	ANTIJAMMING FILTER F3 (CX0.47MF)
3	DW2000430	TERMOSTATO DI SICUR. 110 1500PVC	SAFETY THERMOSTAT 110 1500PVC
4	DW15086	TELERUTTORE 230V 50/60Hz 4C AC3(6A)	CONTACTOR 230V 50/60Hz 4C AC3(6A)
5	DW10300050	TELERUTT. 25A/12A 4NA 230V 50-60HZ	CONTACTOR 25A/12A 4NA 230V 50-60HZ
6	DW23214	PORTACOMPONENTI ELETTR. LP1/800-LP1S8	ELECTRIC COMPONENTS PANEL
7	DW10300401	MORSETTO 6/8mmq GIALLO VERDE	TERMINAL 6/8mmq YELLOW/GREEN
8	DW10300403	MORSETTO 6mmq	TERMINAL 6mmq
9	DW50562	SONDA TERMOSTATO SCHEDA DIHRECO2	THERMOSTAT PROBE DIHRECO2
10	DW23216	SCHEDA LP1/800 2011 (BL)	MAINBOARD 2011 (BL)



LP1/800E 400V3N 50HZ - DWF1003595 - Valvola di carico - DW116E

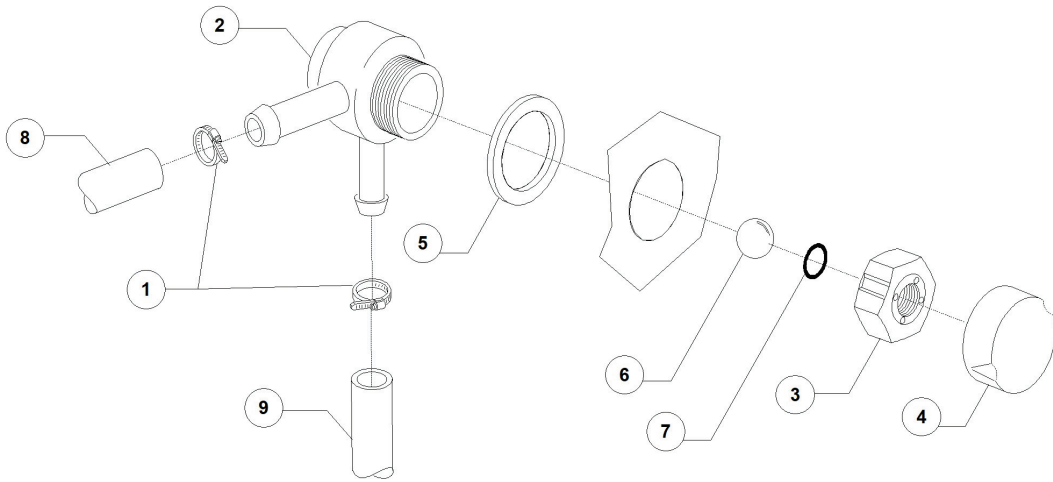
Pos.	Codice	Descrizione	Description
1	DW30001000	ELETTRORVALVOLA SINGOLA 90° D.14	SINGLE SOLENOID VALVE 90° D.14
2	DW13307	GUARNIZ. 3/4 CARICO H2O DIS.LS061	GUARNIZ. 3/4 CARICO H2O DIS.LS061
3	DW11807	FASCETTE AISI 430 12/22	CLAMP 12/22 AISI 430



LP1/800E 400V3N 50HZ - DWF1003595 - Pompa risciaquo / PAP - DW116E

Pos.	Codice	Descrizione	Description
1	DW15100/D	POMPA AUM.PRESS 220-240/50 PICCOLA	BOOSTER PUMP 220-240V/50HZ
2	DW10221311	PORTAGOMMA TUBO 12 FIL. G3/8 OT-NI	NICHEL-PLAT.BRASS HOSE CONNECTOR 12 G3/8
3	DW2907351	TUBO GOMMA EPDM 11,5X19	11,5X19 EPDM RUBBER PIPE
4	DW11807	FASCETTE AISI 430 12/22	CLAMP 12/22 AISI 430

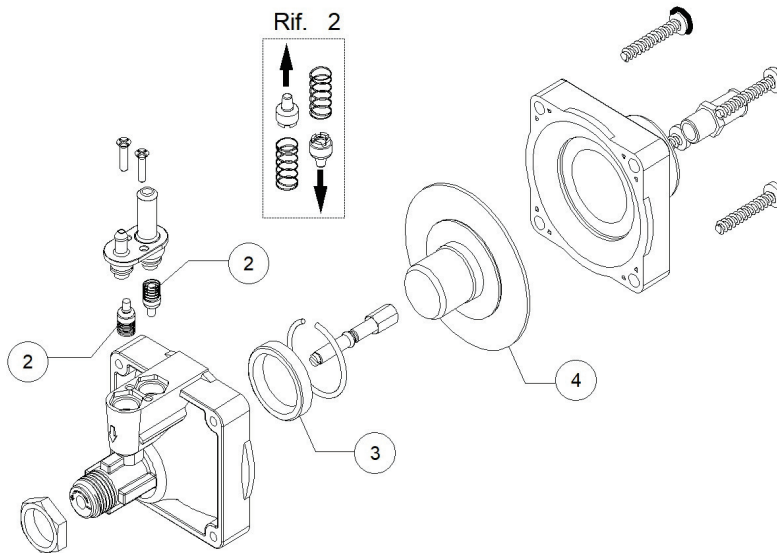
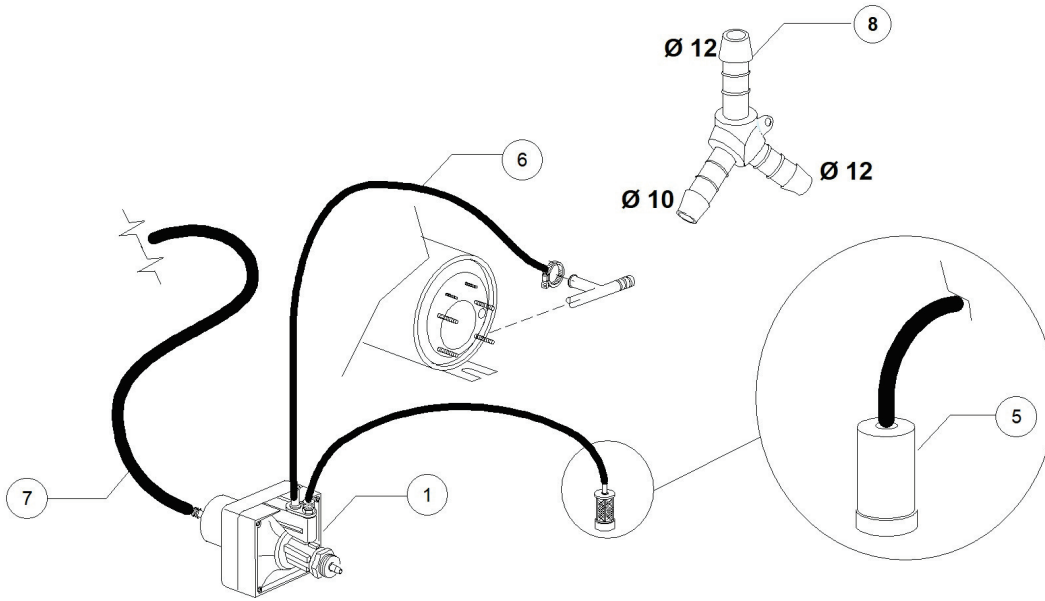
LP1/800E 400V3N 50HZ - DWF1003595 - Valvola DVGW - DW116E



LP1/800E 400V3N 50HZ - DWF1003595 - Valvola DVGW - DW116E

Pos.	Codice	Descrizione	Description
1	DW11807	FASCETTE AISI 430 12/22	CLAMP 12/22 AISI 430
2	DW15280	CORPO CENTRALE VALVOLA DVGW 07	DRAIN VALVE CENTER BODY
3	DW15281	DADO VALVOLA DVGW 07	VALVE NUT
4	DW15282	COPRI DADO VALVOLA DVGW 07	VALVE NUT COVER
5	DW15283	GUARNIZIONE VALVOLA DVGW 07	VALVE GASKET
6	DW15284	"SFERA 5/8" VALVOLA DVGW 07"	"5/8" BALL FOR DVGW VALVE 07"
8	DW2907351	TUBO GOMMA EPDM 11,5X19	11,5X19 EPDM RUBBER PIPE
9	DW2907351	TUBO GOMMA EPDM 11,5X19	11,5X19 EPDM RUBBER PIPE
9	DW2907353	TUBO GOMMA ACQUA POTABILE 13X21	13X21 POTABLE WATER RUBBER PIPE

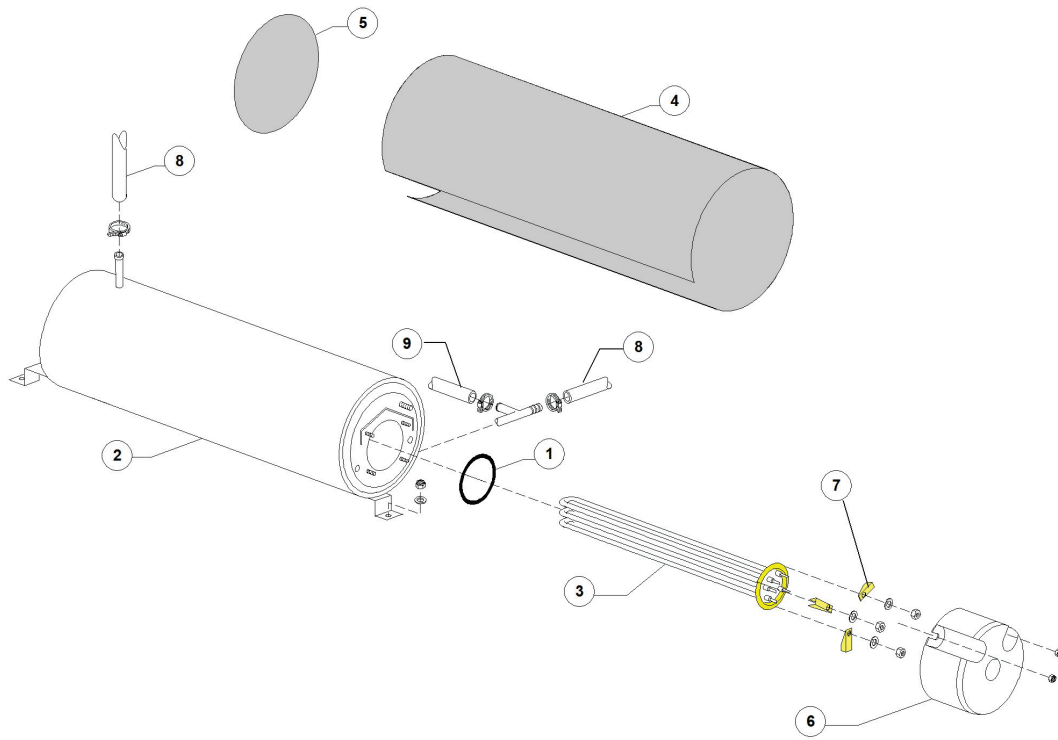
LP1/800E 400V3N 50HZ - DWF1003595 - Gruppo dosatore Brillantante - DW116E



LP1/800E 400V3N 50HZ - DWF1003595 - Gruppo dosatore Brillantante - DW116E

Pos.	Codice	Descrizione	Description
1	DW10599999	DOSATORE BRILLANTANTE	RINSE AID DOSING PUMP
2	DW10805	VALVOLE+MOLLE(2)DOS.BRILL.TECNOPRO	TECNOPRO NON RETURN VALVE
3	DW10806	GUARNIZIONE D22 DOS.BRILL.TECNOPRO	GASKET D.22
4	DW10599999/A	MEMBRANA DOS. 3000	MEMBRANE FOR DOSING PUMP
5	DW15058	FILTRINO CON PESO ASPIR. DET/BRIL	SMALL FILTER (MIN. 3 PCS)
6	DW10200293	TUBO EPDM 8X15 PER DOSATORE	8X15 EPDM PIPE

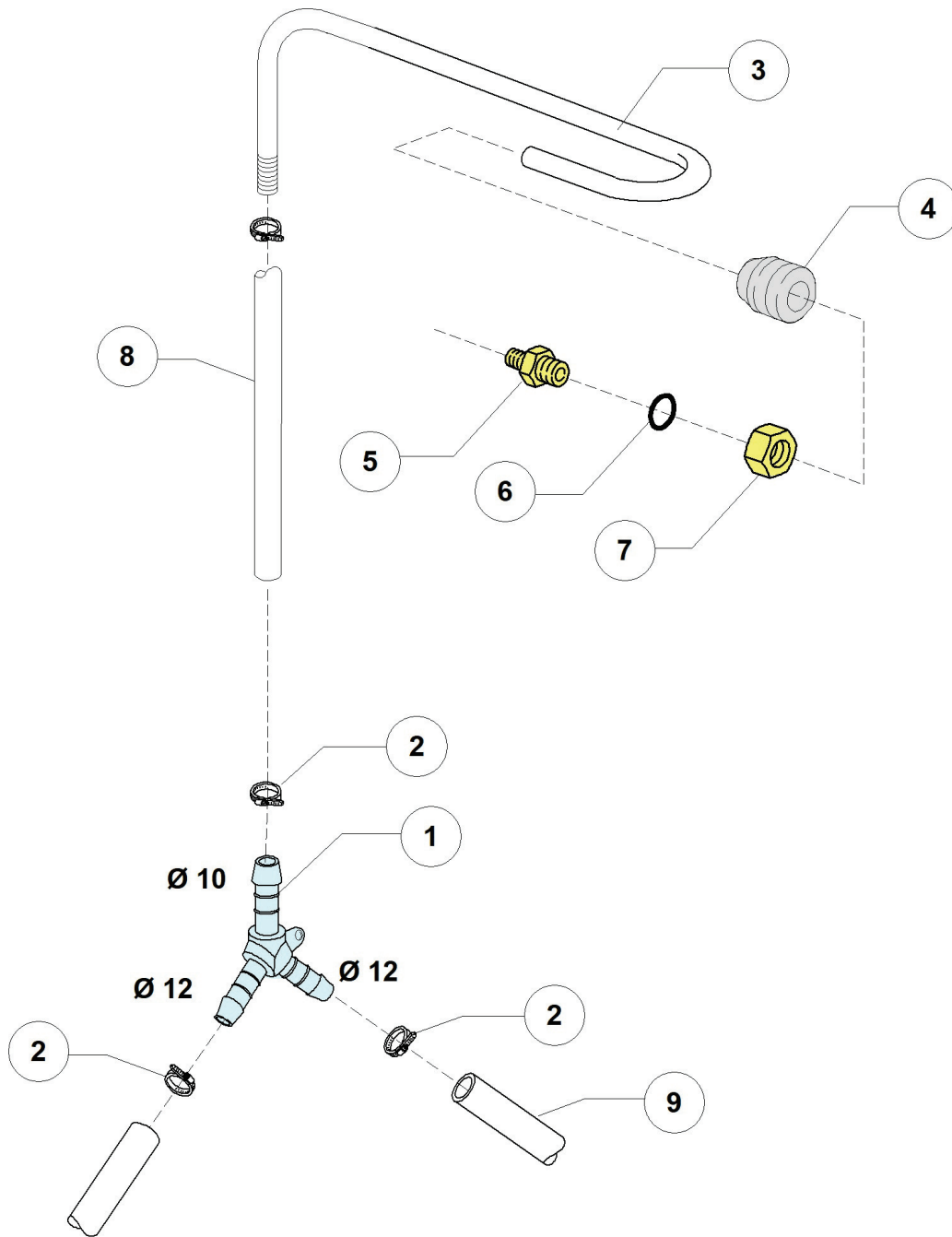
LP1/800E 400V3N 50HZ - DWF1003595 - Gruppo boiler - DW116E



LP1/800E 400V3N 50HZ - DWF1003595 - Gruppo boiler - DW116E

Pos.	Codice	Descrizione	Description
1	DW13015	GUARNIZIONE 6225 OR 160 NBR	6225 O-RING 160 NBR
2	DW22002	BOILER D160x490 (AISI 304)	BOILER D160x490 (AISI 304)
3	DW30001010	RESIST.6000/6530W 230/240V 3	6000/6530W 230/240V 3 HEATING ELEM.
4	DW30002030	COIBENTAZIONE BOILER D.155X500	BOILER INSULATING D.155X500
5	DW75205	DISCO IN ESPANSOLENE. AUTOESTING. D.160	INSULATING DISK D.160
6	DW75311	CUFFIOTTO PER RESISTENZA 26/03/97	HEATING ELEMENT COVER
7	DW16045	STAFFE FISSAGGIO RESIST.FORO 6.3	HEATING ELEMENT MOUNTING BRACKET D.6,3
8	DW2907351	TUBO GOMMA EPDM 11,5X19	11,5X19 EPDM RUBBER PIPE
9	DW10200293	TUBO EPDM 8X15 PER DOSATORE	8X15 EPDM PIPE

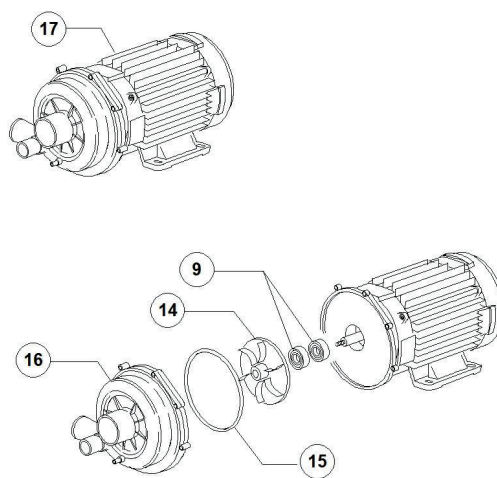
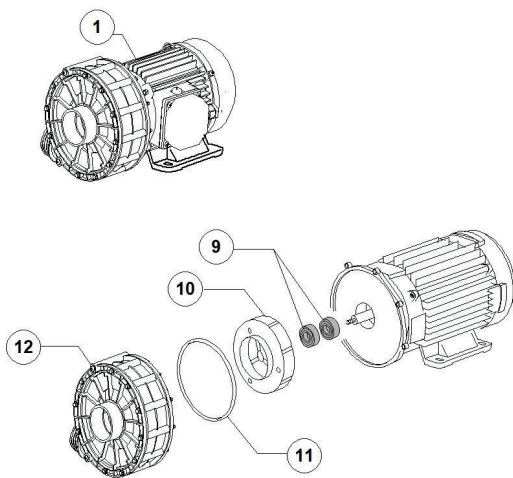
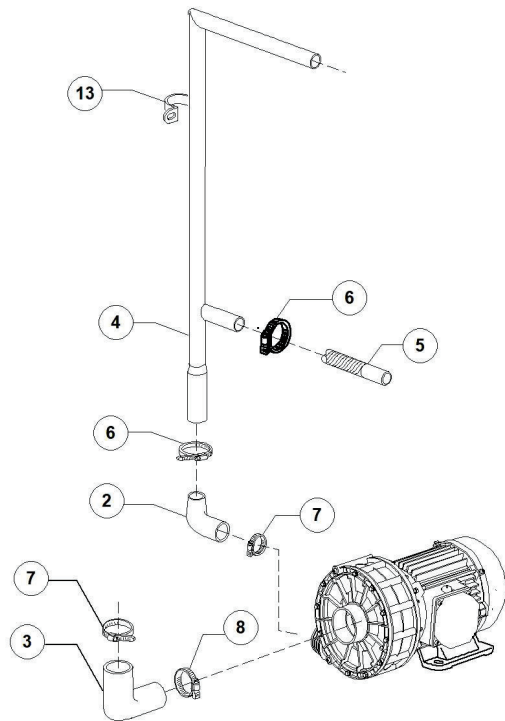
LP1/800E 400V3N 50HZ - DWF1003595 - Deviazione 3 vie - DW116E



LP1/800E 400V3N 50HZ - DWF1003595 - Deviazione 3 vie - DW116E

Pos.	Codice	Descrizione	Description
1	DW540104	DERIV. 3VIE Y D.12-12-10 PLASTICA	PLASTIC Y-PIECE D.12-12-10
2	DW11807	FASCETTE AISI 430 12/22	CLAMP 12/22 AISI 430
3	DW76082	RAMPA RISC. 11/04-G12/03 COMPLETA	RINSE RISER 11/04 12/03
4	DW13304	GUARNIZIONE PASSATUBO 70SH	PIPE-PASS O-RING
5	DW12006	RACC. TUBO RISC.DIAM.10 COMP. INOX	S/S RINSE PIPE FITTING D.10
6	DW13003	GUARNIZIONE OR 112 NBR	O-RING 112 NBR (MIN. 10 PCS)
7	DW12006/A	DADO3/8x3,5ES.19 X RACC.TUBO DIAM10	"HEXAGONAL NUT 3/8" D.10"
9	DW2907351	TUBO GOMMA EPDM 11,5X19	11,5X19 EPDM RUBBER PIPE

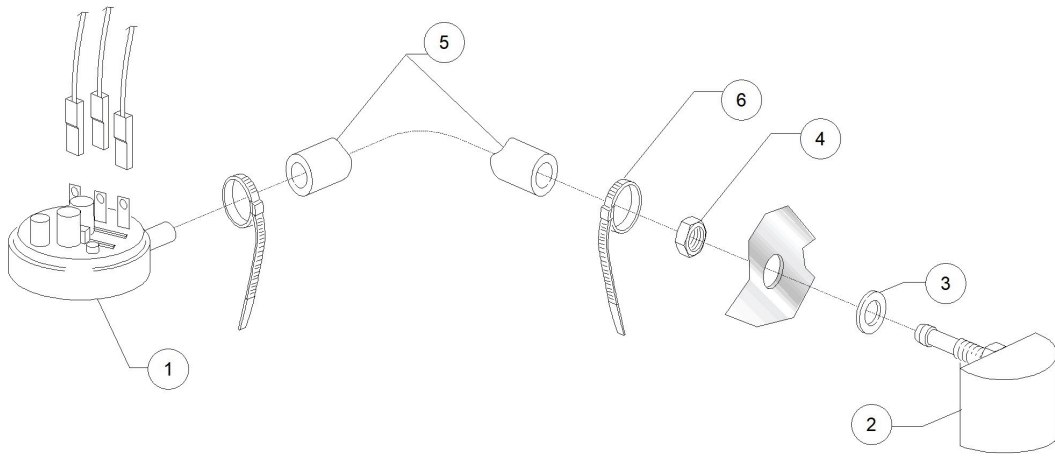
LP1/800E 400V3N 50HZ - DWF1003595 - Gruppo pompa di lavaggio - DW116E



LP1/800E 400V3N 50HZ - DWF1003595 - Gruppo pompa di lavaggio - DW116E

Pos.	Codice	Descrizione	Description
1	DW88106	POMPA HP2.7 220/380-400 50HZ (1205)	PUMP HP2.7 220/380-400V/50HZ
2	DW16170/M	MANICOTTO 50/35 RINFORZATO	PIPE COUPLING 50/35
3	DW15032/A	TUBO ASPIR.EPDM D.50/60NUOV.VS.1632	SUCTION PIPE COUPLING D.50/60
4	DW23203	RAMPA LAV. SUP. LP1/800 SPECIAL	UPPER WASH RISER LP1/800
5	DW15033/A	TUBO EPDM MANDATA LAV.INF. NUOVO	LOW EPDM DELIVERY WASH PIPE
6	DW11806	FASCETTE AISI 430 25/40	CLAMP 25/40 AISI 430
7	DW11824	FASCETTA AISI 430 50-70	CLAMP 50/70 AISI 430
8	DW2902491	FASCETTA AISI-430 60/80	CLAMP 60/80 AISI 430
9	DW15080	PREMISTOPA+CONTROFACCIA	ROTATING SEALS
10	DW88222/O	#GIRANTE POMPA HP2.7 (88106) OLYMPIA	PUMP ROTOR
11	DW10200290/O	GUARN.OR POMPA MEC80.T200SX(OLYMPIA)	GUARN.OR POMPA MEC80.T200SX(OLYMPIA)
12	DW88220/O	#KIT CHIOCCIOLA POMPA 2.7HP(88106)OLYMPI	
13	DW23202	OMEGA FISSAGGIO RAMPA LP1	
14	DW88222	#GIRANTE POMPA HP2.7 F1205 (88106)	PUMP ROTOR
15	DW10200290	#GUARNIZIONE OR POMPA 1225	OR 1225 GASKET
16	DW88220	#CHIOCCIOLA POMPA 1205 2.7HP	
17	DW88106	POMPA HP2.7 220/380-400 50HZ (1205)	PUMP HP2.7 220/380-400V/50HZ

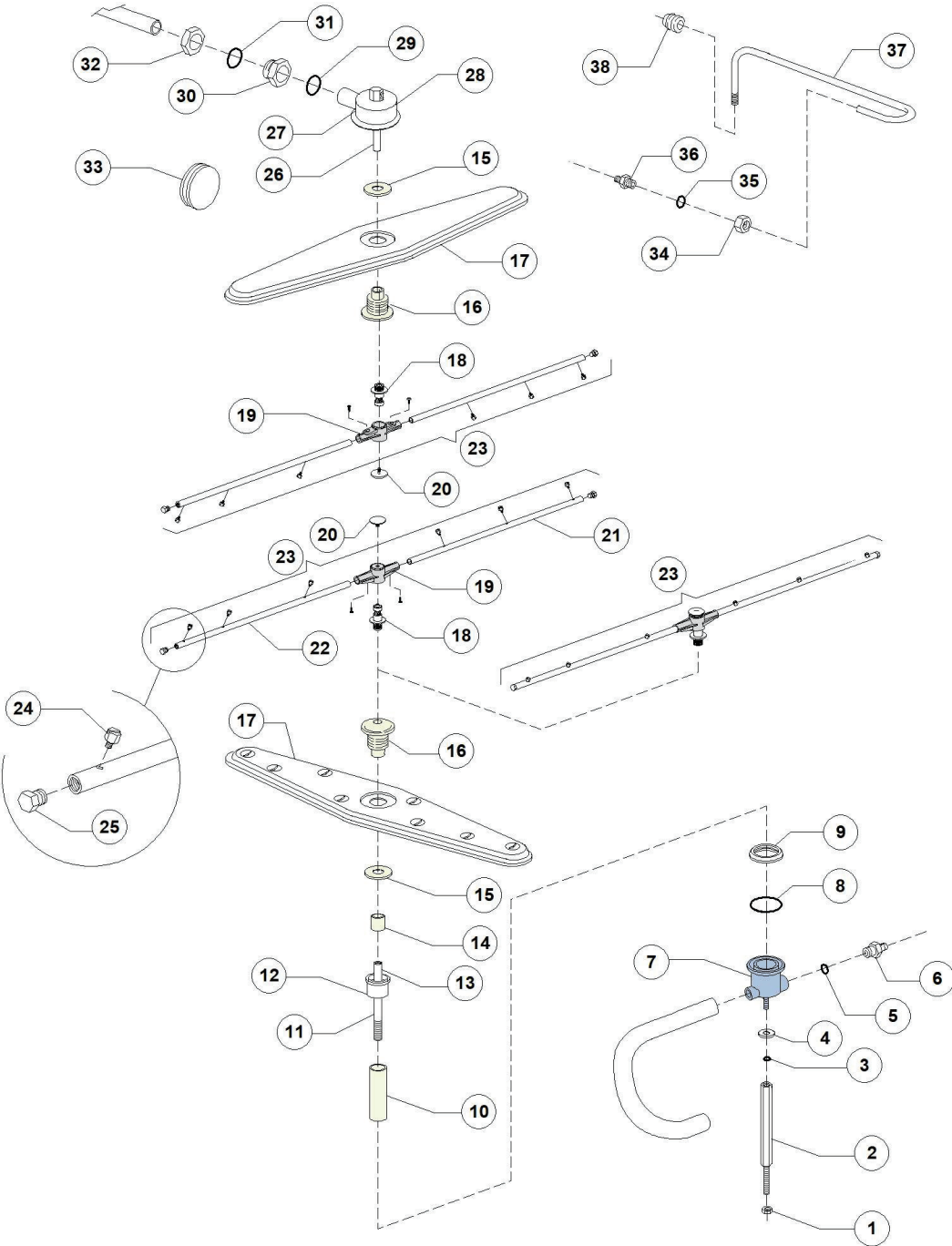
LP1/800E 400V3N 50HZ - DWF1003595 - Pressostato - DW116E



LP1/800E 400V3N 50HZ - DWF1003595 - Pressostato - DW116E

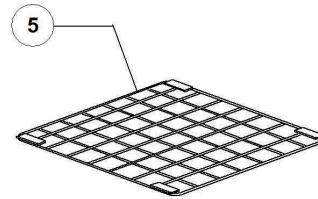
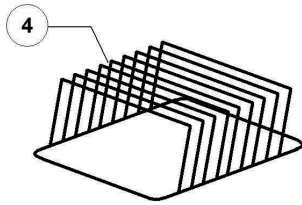
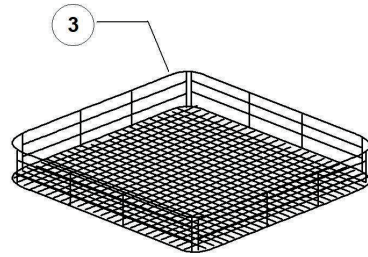
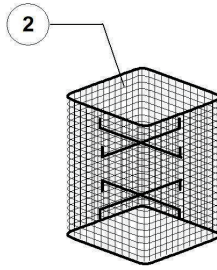
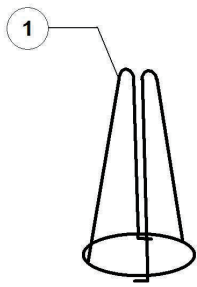
Pos.	Codice	Descrizione	Description
1	DW75950	PRESSOSTATO 11S 86-59	PRESSURE SWITCH 86-59
2	DW135911/E	ASSIEME GABBIA D'ARIA GRIGIA L45	GREY AIR TRAP ASSEMBLY L45
3	DW13301	GUARNIZ. IN ROLMART D14x8x1,5	O-RING ROLMART D14X8X1,5
4	DW11702	DADO M8 INOX UNI5588 DIN934	S/S NUT M8 DIN934 (MIN. 20 PCS)
5	DW14508	TUBO EPDM 4.5X9 PER PRESSOSTATO	EPDM HOSE 4.5X9 FOR PRESSURE SWITCH
6	DW10738	FASCETTA PLASTICA 98X2.5	PLASTIC CLAMP 98X2,5

LP1/800E 400V3N 50HZ - DWF1003595 - Gruppo lavaggio-risciacquo - DW116E



LP1/800E 400V3N 50HZ - DWF1003595 - Gruppo lavaggio-risciacquo - DW116E

Pos.	Codice	Descrizione	Description
1	DW11702	DADO M8 INOX UNI5588 DIN934	S/S NUT M8 DIN934 (MIN. 20 PCS)
2	DW23303	TIRANTE INFERIORE LP1/800	LOWER TIE ROD
3	DW13313	GUARNIZIONE EP DIAM.8x24x2	GASKET D.8X24X2 (MIN. 5 PCS)
4	DW11185	RONDELLA 8X16 PIANA INOX DIN125	8X16 S/S PLANE WASHER DIN125
5	DW13003	GUARNIZIONE OR 112 NBR	O-RING 112 NBR (MIN. 10 PCS)
6	DW12506	PORTAGOMMA TUBO 10 FIL. M12X1 OT-NI	NICHEL-PLAT.BRASS HOSE CONNECTOR10 M12X1
7	DW15041/A	DISTRIBUTORE LAV. RISC. INF. GRIGIO	WASH/RINSE LOWER TURRET
8	DW13022	GUARNIZIONE OR 4150	O-RING 4150
9	DW15038	GHIERA DI COLLEGAMENTO LAV. INF .	RING NUT CONNECTION
10	DW22050	MANICOTTO INOX LP1/800 LAV RINF	S/S LOWER PIPE COUPLING
11	DW22026	PROLUNGA RISC.INF.TIPO1000 D.10X162	LOWER AXLE EXTENSION
12	DW15040/A	BICCHIERE LAVAGG.INFERIORE INOX M10	LOWER WASH BELL-SHAPE S/S M10
13	DW75315	PROLUNGA PER ASSE RISC. 11S	RINSE AXLE EXTENSION
14	DW75321	DISTANZ.PER MOZZO 11S 98 SU GIR.INF	SPACER FOR HUB
15	DW75317	DADO PER MOZZO GIR. 11S/96	NUT FOR ROTOR HUB 11S/96
16	DW75320	MOZZO PER GIRANTE 11 S 09/98	HUB FOR ROTOR 11S 09/98
17	DW75915	GIRANTE LAVAGGIO 11/03	WASH ROTOR
18	DW10651	ASSE RISCIAQUO/03	RINSE AXLE 03
19	DW10650	MOZZO PER GIRANTE RISCIAQUO/03	HUB FOR RINSE ROTOR 03
20	DW10652	VITE RISCIAQUO/03	RINSE ARM SCREW
21	DW10659	TUBO RISC. DX LP UGELLI INOX/03	RIGHT RINSE ARM S/S NOZZLES LP/03
22	DW10660	TUBO RISC. SX LP UGELLI INOX/03	LEFT RINSE ARM S/S NOZZLES LP/03
23	DW90003	GRUPPO RISC.SUP/INF LP1S8 - LP1/800	UPPER/LOWER RINSE ASSEMBLY P1S8/P1800
24	DW560018	UGELLO INOX RISCIAQUO M5	S/S RINSE NOZZLE M5
25	DW560017	TAPPO PER TUBO RISCIAQUO M9x1	RINSE ARM PLUG
26	DW75322	PROLUNGA PER ASSE RISC. SUP 11S 98	UPPER RINSE AXLE EXTENSION
27	DW75067	TORRETTA INOX PER GIRANTE INOX 11S	S/SWASH ARMS' LOWER SUPPORT 11S
28	DW75319	"GOMITO RISCIAQUO G 1/4"	"RINSE ELBOW G1/4"
29	DW13004	GUARNIZIONE OR 3137 NBR	O-RING 3137 NBR (MIN. 3 PCS)
30	DW15042	"GHIERA 1" 1/4 GAS"	"RING NUT 1" 1/4"
31	DW13008	GUARNIZIONE OR 147 NBR	O-RING 147 NBR (MIN. 5 PCS)
32	DW15042/A	"DADO GHIERA 1" 1/4"	"NUT 1" 1/4"
33	DW13316/A	GUARNIZIONE CIECA PER FORO DVGW	DVGW HOLE PLUG
34	DW12006/A	DADO3/8x3,5ES.19 X RACC.TUBO DIAM10	"HEXAGONAL NUT 3/8" D.10"
35	DW13003	GUARNIZIONE OR 112 NBR	O-RING 112 NBR (MIN. 10 PCS)
36	DW12006	RACC. TUBO RISC.DIAM.10 COMP. INOX	S/S RINSE PIPE FITTING D.10
37	DW76082	RAMPA RISC. 11/04-G12/03 COMPLETA	RINSE RISER 11/04 12/03
38	DW13304	GUARNIZIONE PASSATUBO 70SH	PIPE-PASS O-RING



LP1/800E 400V3N 50HZ - DWF1003595 - Cesti - DW116E

Pos.	Codice	Descrizione	Description
2	DWC86/A	CESTELLO PORTA SPATOLE INOX	S/S SPATULA BASKET
3	DWC87/B	CESTO INOX 550X665X70(RETE 540X655)	550X665 S/S BASKET
4	DWC97/A	INSERTO INOX PER VASSOI 8P.	S/S TRAY SUPPORT 8 PCS
5	DWC100	GRIGLIA INOX 55X55	550X550 S/S GRID

